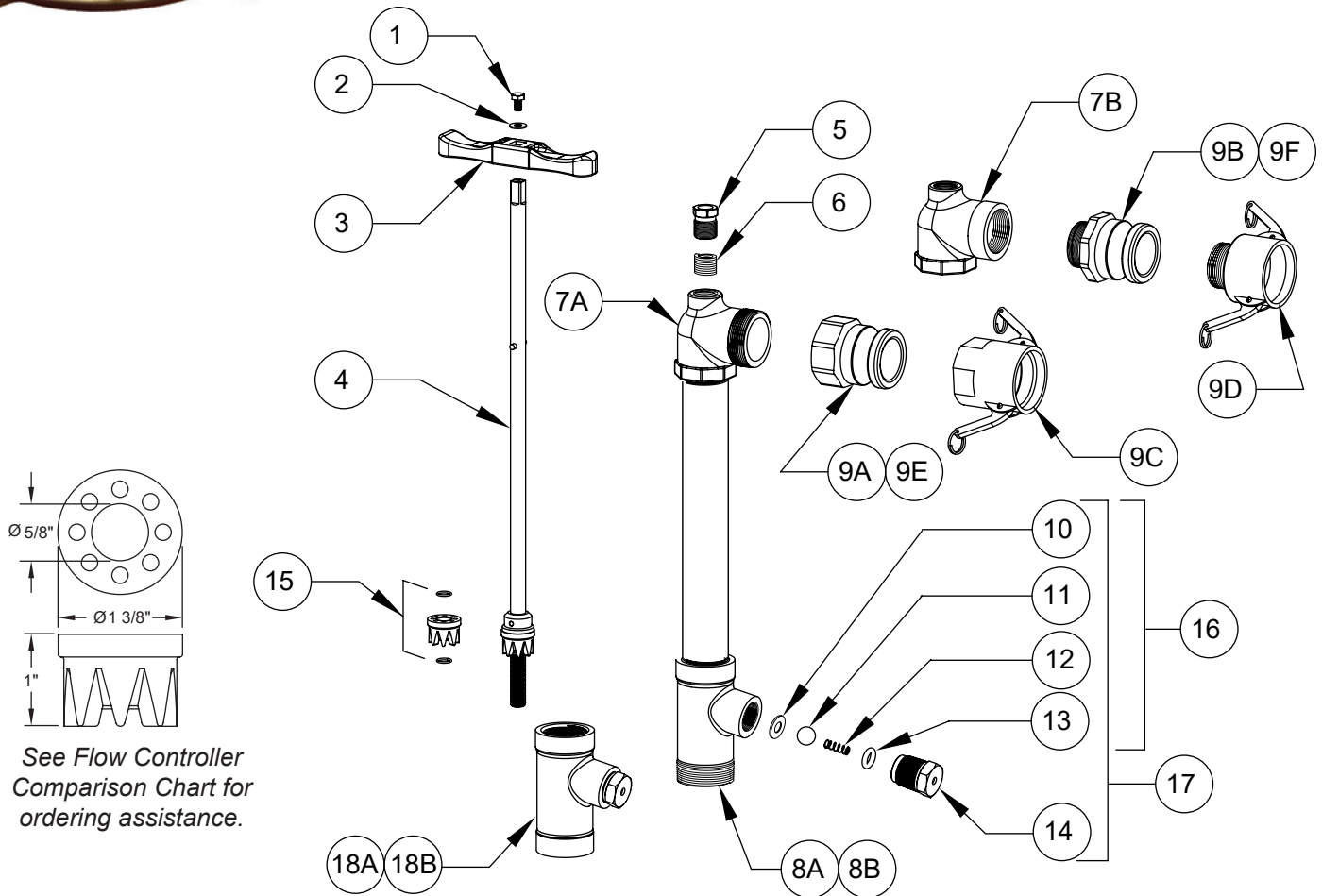




MODEL R150HP

1 1/2" High Pressure Hydrant



ITEM NO.	PART NUMBER	DESCRIPTION	QTY
1	61039	Handle Bolt	1
2	61040	Handle Washer	1
3	61024	Handle	1
4	652XX	HP Rod Assembly	1
5	61035	Packing Nut	1
6	61086	Teflon Packing	1
7A	61011	1.5 Elbow Casting with 2.0 M Outlet	1
7B	61012	1.5 Elbow Casting with 1.5 F Outlet	1
8A	65307	1.5 HP Valve Body with 2.0 M Inlet	1
8B	65306	1.5 HP Valve Body with 1.5 F Inlet	1
9A	61058	2.0 Male - Type A - Adapter - AL - 800 PSI	1
9B	61055	1.5 Male - Type F - Adapter - AL - 800 PSI	1
9C	61069	2.0 Female - Type D - Coupling - SS - 800 PSI	1

ITEM NO.	PART NUMBER	DESCRIPTION	QTY
9D	61066	1.5 Female - Type B - Coupling - SS - 800 PSI	1
9E	61059	2.0 Male - Type A - Adapter - SS - 1200 PSI	1
9F	61056	1.5 Male - Type F - Adapter - SS - 1200 PSI	1
10	61034	Brass Washer	1
11	61032	SS Drain Ball	1
12	61029	Drain Spring	1
13	61028	Drain O-Ring	1
14	61027	Drain Body	1
15	61043	HP Flow Controller (15H) w/(2) 61052 O-Rings	1
16	65011	Drain Repair Kit	1
17	65013	Drain Repair Kit w/Body	1
18A	65003	1.5" HP Valve Body w/2" M Inlet w/Drain Assy.	1
18B	65007	1.5" HP Valve Body w/1.5" F Inlet w/Drain Assy.	1

For more information contact...

Roger's Hydrant Company, LLC.

2121 Waynoka Road, Colorado Springs, Colorado 80915 • Phone: (877) 454-8097

email: sales@rogershydrants.com